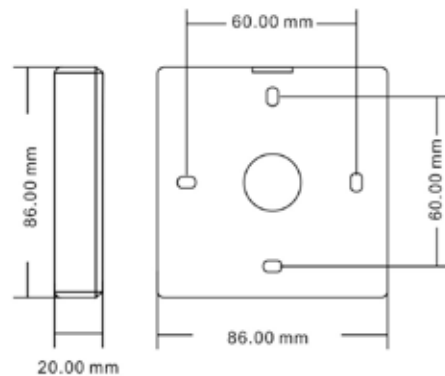
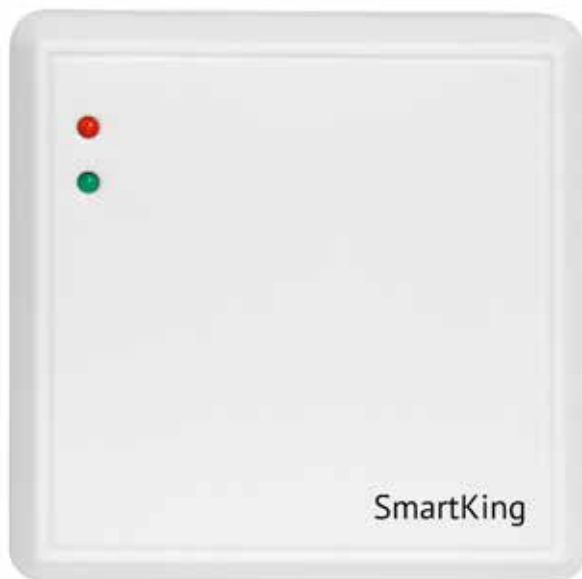




SmartKing™ Mini controller for single door



TECHNICAL CHARACTERISTICS

- **Power Supply:** 12~14VDC
- **Idle Current:** ≤ 11mA
- **Lock Output Load:** ≤ 3A
- **Time of copying user information:** ≤ 8s
- **Wiegand input format:** 4Bit or 8Bit when pressing one key, 26-37Bit virtual Card No.
- **Operating Temperature:** -40°C~60°C
- **Operating Humidity :** 0~95% (non-condensing)
- **Dimensions:** 86 mm x 86 mm x 20 mm (L x W x H)

CHARACTERISTICS

- Compact, economical and practical, secure and reliable. Fits type of 86 Box installation inside rooms.
- If external Reader is keypad one, then all the setting of Mini 100 can be done on keypad reader
- Using the provided infrared remote control to do all the configuration of the PA240510 Minicontroller.
- The door won't be opened even if the external reader is damaged, or encountered by strong magnetic or short circuit or any other illegal way.
- 1000 user capacity
- User information can be copied from one controller to another, very easily.
- Every user can change the password without mastercode if the external reader is keypad one.
- Password is 4-6 digits long.
- Wiring is very easy, can be connected with various electric locks without external wiring.

ORDER INFORMATION

- **PA240510** : Mini Controller for Single Door