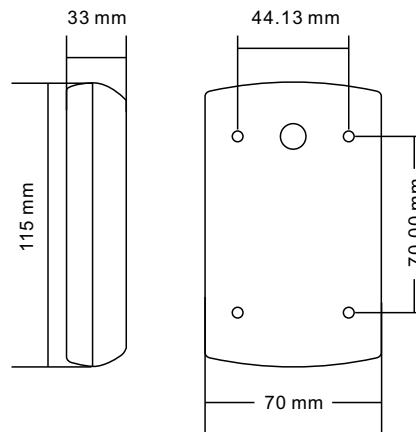




SmartKing™ Fingerprint with cardreader



TECHNICAL CHARACTERISTICS

- **Power Supply:** 12VDC \pm 10%
- **Card Type:** 125 KHz EM
- **Card Max. Users:** 2.000
- **Fingerprint Max. Users:** 1.000
- **Manager Cards:** 2
- **Static Current:** \leq 20mA
- **Active Current:** \leq 80mA
- **Fingerprint Input Time:** $<$ 1s
- **Identification Time:** $<$ 1s
- **FAR:** $<$ 0,0001%
- **FRR:** $<$ 0,1%
- **Reading range:** 2 - 6 cm
- **Reading time:** \leq 0.1s
- **Door Open Time:** 0-99 s
- **Anti-Static:** 15KV
- **Operating Temperature:** -20°C~60°C
- **Operating Humidity :** 20-95%
- **Dimensions:** 115 mm x 70 mm x 33 mm (L x W x H)



CHARACTERISTICS

- Metal structure, anti-vandal, simple & safe design
- Supports Fingerprint & ID Card
- Using the dark background imaging technique, makes the dry/wet fingerprints always easy recognisable, in variant light conditions except the direct solar radiation.
- Can add/delete the users' fingerprints by manager fingerprints/cards very quickly.
- Infrared remote control for programming
- Anti-magnetic, prevents opening the door illegally by magnetic force
- Built-in PIR (passive infrared) to wake up the device from sleep mode
- Wiegand 26 input & output.
- Supports interconnected, interlocking, door ajar, forced, shunt, monitor and secure mode.

ORDER INFORMATION

- **PA240401** : Fingerprint Access Control with built-in cardreader