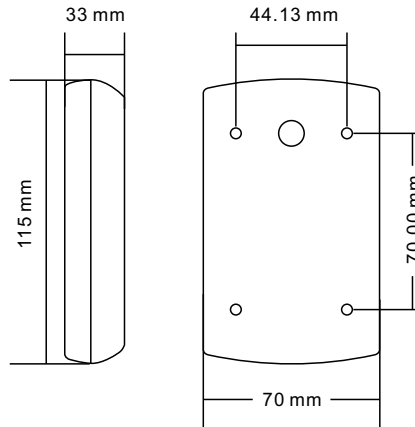




SmartKing™ Fingerprint



TECHNICAL CHARACTERISTICS

- **Power Supply:** 12VDC \pm 10%
- **Fingerprint Capacity:** 1.000
- **Door Open Time:** 0-99 s
- **Fingerprint Input Time:** <1s
- **Identification Time:** <1s
- **FAR:** <0,0001%
- **FRR:** <0,1%
- **Operating Temperature:** -20°C~60°C
- **Operating Humidity :** 20-95%
- **Static Current:** \leq 20mA
- **Active Current:** \leq 80mA
- **Door Relay Contact Load:** 2A
- **Protection:** IP65 fully potted.
- **Anti-Static:** 15KV
- **Dimensions:** 115 mm x 70 mm x 33 mm (L x W x H)

CHARACTERISTICS

- Metal structure, anti-vandal, simple & safe design
- The fingerprint identification technology has the advantages of unduplicated and unbreakable
- Using the dark background imaging technique, makes the dry/wet fingerprints always easy recognisable, in variant light conditions except the direct solar radiation.
- Can add/delete the users' fingerprints by manager fingerprints/cards very quickly.
- Infrared remote control for programming
- Anti-magnetic, prevents opening the door illegally by magnetic force
- Built-in PIR (passive infrared) to wake up the device from sleep mode

ORDER INFORMATION

- **PA240400** : Fingerprint Access Control