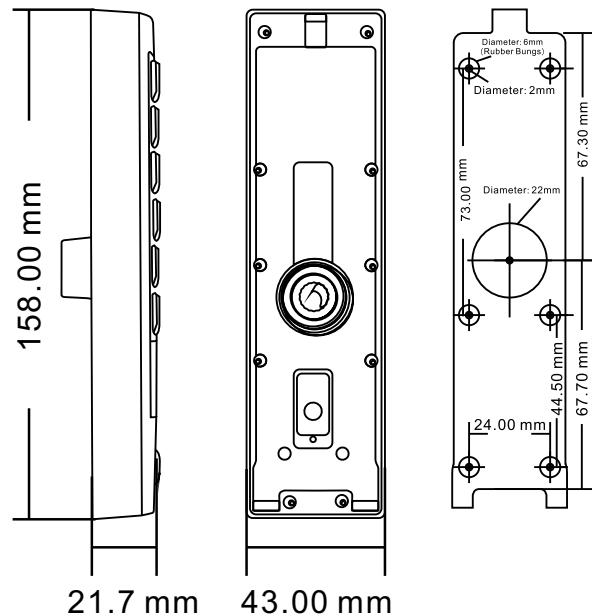




Wiegand Design Code EM & HID



TECHNICAL CHARACTERISTICS

- **Power Supply:** 12-14 VDC
- **Card Type:** 125 KHz EM & HID
- **Static Current:** ≤ 35mA
- **Response Time:** 0.1 second
- **Card Reading range:** 3 - 6 cm
- **Anti-pass-back:** Yes.
- **Anti-Tamper:** Yes.
- **Card Transmission Format:** Wiegand 26-37 bit
- **Keypad output Format:** 4bit, 8bit and virtual card number.
- **Protection:** IP65 fully potted.
- **Anti-Static:** 15KV
- **Operating Temperature:** -40°C~60°C
- **Operating Humidity :** 0-95% (non-condensing)
- **Dimensions:** 158 mm x 43 mm x 21,7 mm (L x W x H)

CHARACTERISTICS

- Aluminum alloy structure, waterproof, fully potted, conform to IP65.
- Built-in EM & HID (125MHz) Cardreader
- The backlight can be set to ON, OFF or Automatic.
- Multifunctional, operating as slave reader, single door, anti-pass back, etc...

ORDER INFORMATION

- **PA240323 :** Wiegand Design Code with door bell, EM & HID