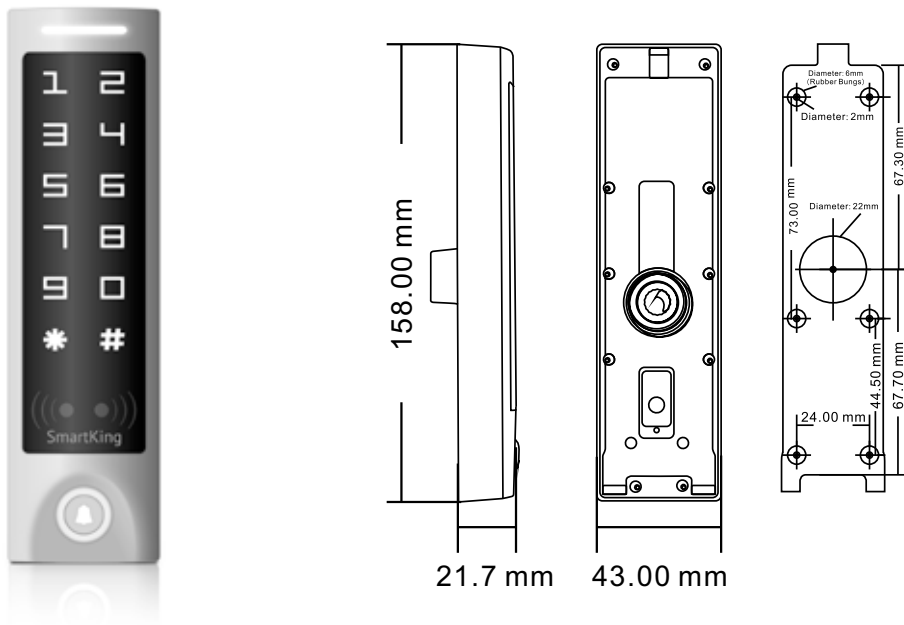




Stand-Alone Touch HID & EM



TECHNICAL CHARACTERISTICS

- **Power Supply:** 12-14 VDC
- **Card Type:** 125 KHz HID & EM
- **Static Current:** $\leq 35\text{mA}$
- **Response Time:** 0.1 second
- **Card Reading range:** 4 cm
- **Anti-pass-back:** Yes.
- **Card Transmission Format:** Wiegand 26-37
- **Keypad Transmission Format:** 4 Bit, 8 Bit and Virtual Card Number
- **Protection:** IP65 fully potted.
- **Anti-Static:** 15KV
- **Operating Temperature:** $-40^{\circ}\text{C} \sim 60^{\circ}\text{C}$ ($-40^{\circ}\text{F} \sim 140^{\circ}\text{F}$)
- **Operating Humidity :** 0-95%
- **Dimensions:** 158 mm x 43 mm x 21,7 mm (L x W x H)

CHARACTERISTICS

- Aluminum alloy structure, waterproof, fully potted, conform to IP65.
- Touchpanel
- Built-in EM & HID (125KHz) Cardreader
- The backlight can be set to ON, OFF or Automatic.
- Multifunctional, operating as slave reader, single door, anti-pass back, etc...

ORDER INFORMATION

- **PA240317** : Stand-Alone Touch with door bell, EM & HID