



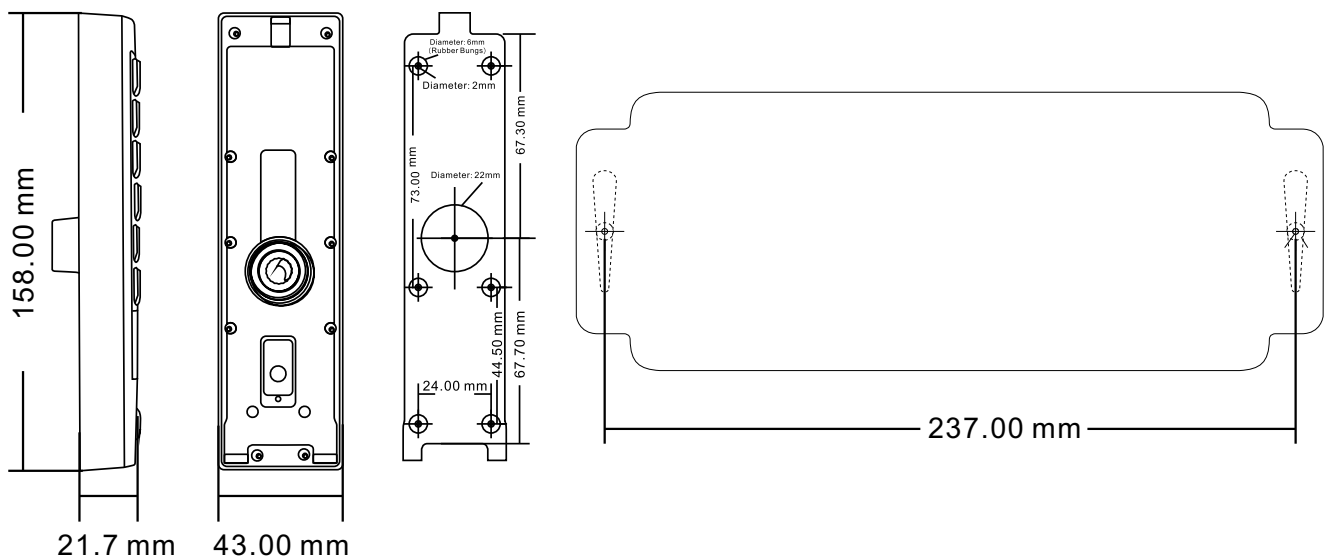
SplitDesign Set met Code EM & HID



TECHNICAL CHARACTERISTICS

- **Power Supply:** 12-14 VDC
- **Card Type:** 125 KHz HID & EM
- **Static Current:** ≤ 35mA
- **Response Time:** 0.1 second
- **Card Reading range:** 4 cm
- **Anti-pass-back:** Yes.
- **Card Transmission Format:** Wiegand 26-37
- **Keypad Transmission Format:** 4 Bit, 8 Bit and Virtual Card Number
- **Protection:** IP65 fully potted.
- **Anti-Static:** 15KV
- **Operating Temperature:** -40°C~60°C (-40°F ~ 140°F)
- **Operating Humidity :** 0-95%
- **Dimensions:** 158 mm x 43 mm x 21,7 mm (L x W x H)

All models, types, values, rates, dimensions, a.s.o. are subject to change, without notice





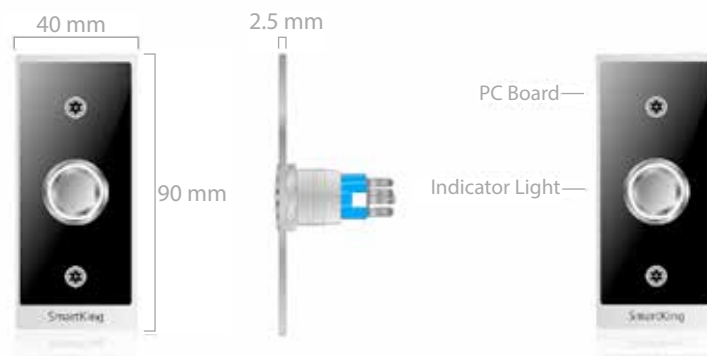
SplitBox



TECHNICAL CHARACTERISTICS

- **Input Voltage:** AC100-240V
- **Total Output Power:** ≤ 6W
- **Power Input Voltage:** DC 12V-14V
- **Access Control Unit Port Output Current:** ≤0.5A
- **Material:** Zinc Alloy
- **Operating Temperature:** -40°C~60°C (-40°F ~ 140°F)
- **Operating Humidity :** 0-95%
- **Dimensions:** 261 mm x 97 mm x 42 mm

Button



TECHNICAL CHARACTERISTICS

- **Mechanical Life:** >1.000.000 times
- **Switch Rating:** 250V AC
- **Color LED Light:** White
- **Panel Material:** Aluminium Alloy & PC
- **Button Material:** Chromium-Plated Brass
- **Contact Resistance:** ≤ 60mΩ
- **Insulation Resistance:** ≥1000MΩ
- **LED Power :** ≤ 22W
- **LED Power Supply:** 12V DC
- **Operating Temperature:** -20°C~60°C
- **Dimensions:** 90 mm x 40 mm x 2,5 mm

ORDER INFORMATION

- **PA240315 :** Split Design Code Set with door bell & Push Button, EM & HID