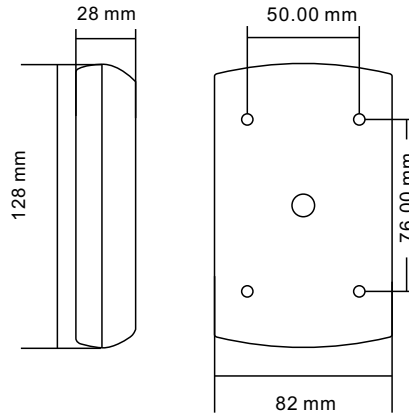




Metal Waterproof PIN Reader Mifare



TECHNICAL CHARACTERISTICS

- **Power Supply:** 12 VDC
- **Communication Interface:** Wiegand 26-37 (default is 26)
- **Supported Cards :** 13.56MHz IC/CPU
- **Card Reading Range :** 2-6 cm
- **Output Format :** 4 bit, 8 bit, or Virtual Card Number.
- **Response Time :** 0.1 second
- **Standby Current :** ≤ 20mA
- **Operating Temperature:** -40°C~60°C (-40°F ~ 140°F)
- **Level of Protection :** IP65
- **Transmit Distance :** 100M
- **Cable Length :** 90-100 cm
- **Dimensions:** 128 mm x 82 mm x 28 mm (L x W x H)

CHARACTERISTICS

- Metal structure, anti-explosion.
- Keypad Design : Backlit Keypad combined with a proximity reader.
- Low power consumption
- Antistatic Interference: 15KV.

ORDER INFORMATION

- **PA240211** : Metal Waterproof PIN Reader Mifare