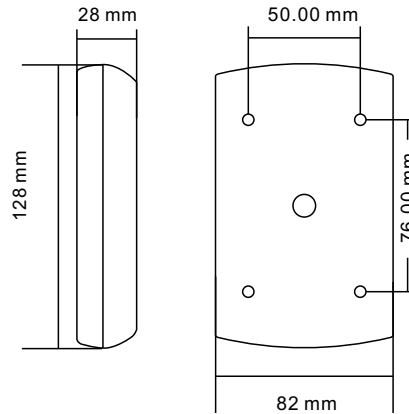




## Metal Waterproof HID & EM Reader



### TECHNICAL CHARACTERISTICS

- **Power Supply:** 12 VDC
- **Card Type:** 125 KHz HID & EM
- **Static Current:** ≤ 30mA
- **Response Time:** 0.1 second
- **Card Reading range:** 3-6 cm
- **Anti-pass-back:** Yes.
- **Communication Interface:** Wiegand 26-37  
(Wiegand 26 cardreader. It will output Wiegand 26-37 according to HID card's format automatically.)
- **Protection:** IP65 fully potted.
- **Anti-Static:** 15KV
- **Transmit Distance:** 100m
- **Cable length:** 90-100cm.
- **Operating Temperature:** -40°C~60°C (-40°F ~ 140°F)
- **Operating Humidity :** 0-95%
- **Dimensions:** 128 mm x 82 mm x 28 mm (L x W x H)

### CHARACTERISTICS

- Appearance design: metal, compact, safe & antivandal.
- Very low power consumption.
- Testing : electrical fast transient burst generator 3.5KV
- Anti-Magnetic: Preventing access by strong magnetic object.
- Nice option for storagerooms, bank offices, prison,...

### ORDER INFORMATION

- **PA240206 :** Metal Waterproof Reader HID & EM