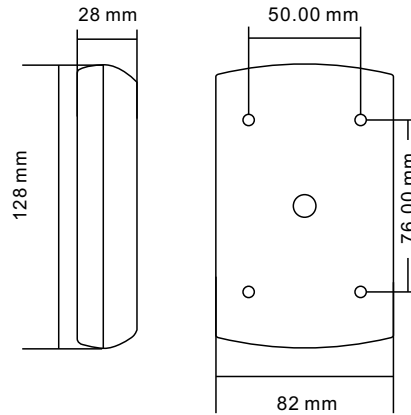




Stand-Alone Metal WP Access Controller Reader



TECHNICAL CHARACTERISTICS

- **Power Supply:** 12-18V AC / 12-24V DC
- **Card Type:** 125KHz EM, PIN length : 4 digits
- **Adjustable Door Relay Time:** 1 - 99 seconds
- **Static Current:** ≤ 35mA
- **Card Reading range:** 3 - 6 cm
- **Reading induction time:** ≤ 0,1 second
- **Lock Output Load:** 1A
- **Alarm Output Load:** 3A
- **Antistatic:** 15KV
- **User Capacity:** 2.500 users
- **Protection:** IP65, fully potted with anti-demolition, alarm function.
- **Wiring Length:** 90-100 cm
- **Signal Light:** red, green, blue, yellow LED light display
- **Operating Temperature:** -40°C~60°C (-40°F ~ 140°F)
- **Operating Humidity :** 0-95% (non-condensing)
- **Dimensions:** 128 mm x 82 mm x 28 mm (L x W x H)



CHARACTERISTICS

- Made from metal. Anti-vandal, more secure & Waterproof Design.
- Very low power consumption.
- Backlit Keypad
- Two Relay operation
- 3 access modes : Card, PIN , Card + PIN
- Pulse / Toggle Mode
- High Speed Search: filled with 2500 users, the search time < 0.1 5seconds.
- Application for High-Security Places: warehouses, banks, prisons,...
- With anti-demolition alarm function, anti-static interference 15KV.
- Machine Code Setting : 1-255 can be set as facility codes
- Wiegand 26 input & output, can work as Wiegand reader/controller

ORDER INFORMATION

- **PA240107** : Stand-Alone Metal WP Access Controller Reader