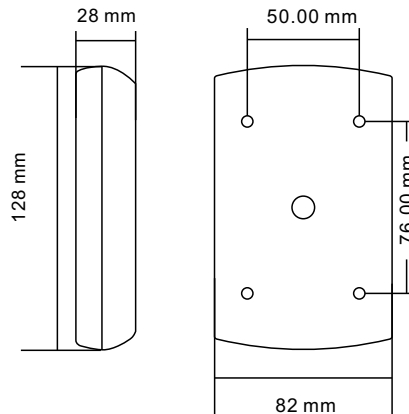




Metal Standalone Access Control, RFID & PIN Access



TECHNICAL CHARACTERISTICS

- **Power Supply:** 12 VDC
- **User Capacity:** 1 master code, 1.000 Users
- **Door Relay Time:** 1-99 seconds
- **Standby Input Current :** < 20mA
- **Card Read Range :** 3 - 6 cm
- **Card Read Sensor Time :** ≤ 0.1 second
- **Operating Temperature:** -40°C~60°C (-40°F ~ 140°F)
- **Operating Humidity :** 0-95%
- **Lock Output Load:** 1A
- **Alarm Output Load:** 3A
- **Dimensions:** 128 mm x 82 mm x 28 mm (L x W x H)

CHARACTERISTICS

- Metal structure, anti-explosion.
- Support 125KHz EM card.
- 3 access modes: Card, Card or PIN, Card with PIN.
- Can work as a standalone keypad (PIN code length: 4-6 digits)
- Low power consumption (standby input current: <20mA)
- Pulse mode , toggle mode
- Supports: door ajar, forced, shunt, monitor, and secure mode.
- Antistatic Interference: 15KV.
- Relay output load can be 3A max

ORDER INFORMATION

- **PA240002 :** Metal Standalone Access Control, RFID & PIN Access