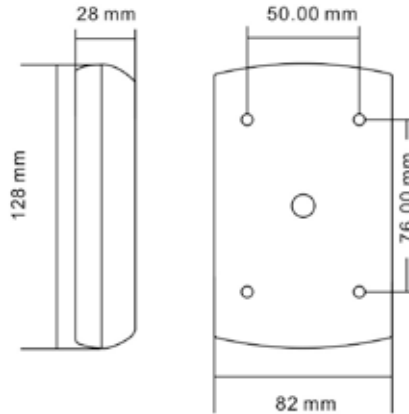




## SmartKing™ only PIN Access



### TECHNICAL CHARACTERISTICS

- **Power Supply:** 12 VDC
- **User Capacity:** 1 master code, 200 PIN code
- **Door Relay Time:** 1-99 seconds
- **Standby Input Current :** < 20mA
- **Operating Temperature:** -40°C~60°C (-40°F ~ 140°F)
- **Operating Humidity :** 0-95%
- **Lock Output Load:** 1A
- **Alarm Output Load:** 3A
- **Dimensions:** 128 mm x 82 mm x 28 mm (L x W x H)

### CHARACTERISTICS

- Metal structure, anti-explosion.
- Standalone Keypad, PIN code length: 4-6 digits
- Low power consumption (standby input current: <20mA)
- Pulse mode , toggle mode
- Supports: door ajar, forced, shunt, monitor, and secure mode.
- Antistatic Interference: 15KV.
- The indicator light can be set to ON or OFF.
- Relay output load can be 3A max

### ORDER INFORMATION

- **PA240000** : Only PIN Access

\*All models, types, values, rates, dimensions, a.s.o. are subject to change, without notice\*