



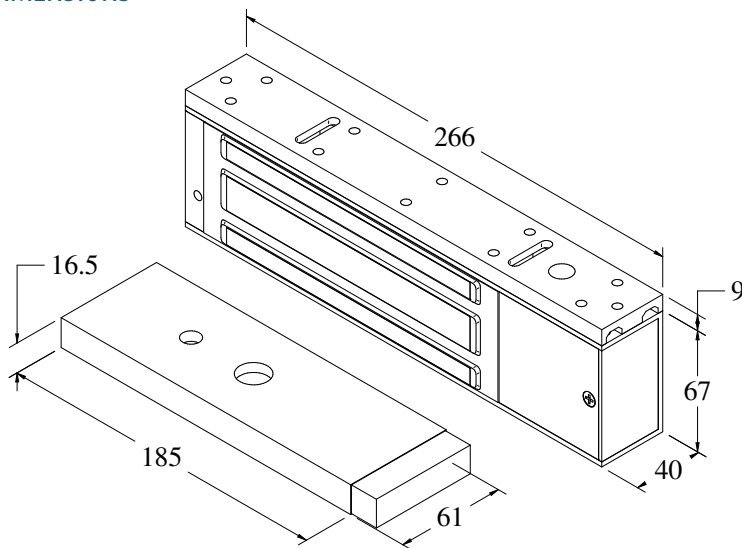
Electromagnetic Lock 5000N Monitored



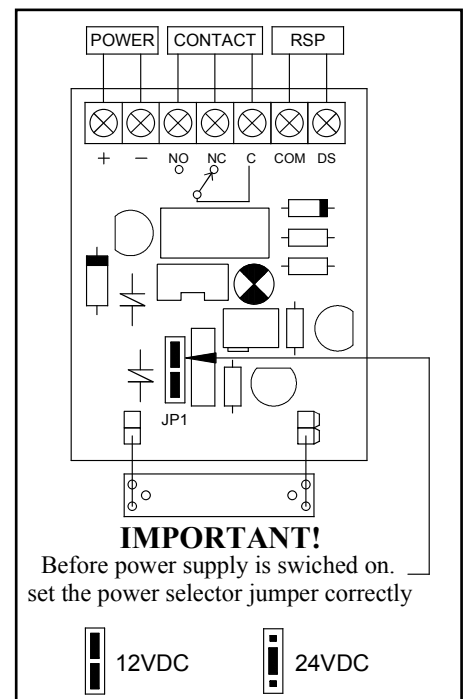
TECHNICAL CHARACTERISTICS

- **Magnet Size** : 266 x 67 x 40 mm
- **Armature Size** : 185 x 61 x 16,5 mm
- **Holding Force** : 5000N
- **Contacts** : 1x NO/N.C./COM
- **Current Drain** : 420 mA ± 10% @ 12VDC
210 mA ± 10% @ 24VDC
- **Temperature** : -10 to 55°C
- **Weight** : 4,71 KG

DIMENSIONS



WIRING DIAGRAM



ORDER INFORMATION

- **EM205210** : Electronic Magnetlock 5000N Monitored
- **EM205250** : L Bracket
- **EM205251** : LZ Bracket
- **EM205253** : Armature housing for 5000N Magnetlock counter plate with contact

All models, types, values, rates, dimensions, a.s.o. are subject to change, without notice

