



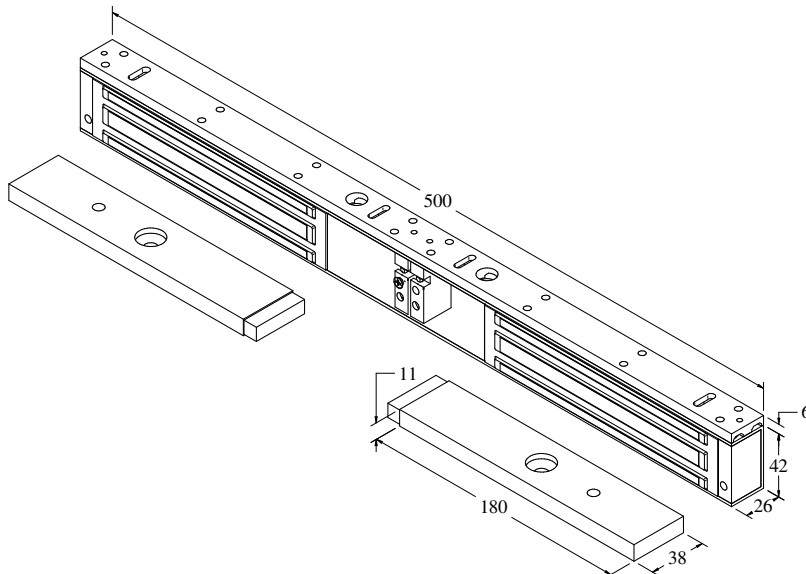
Double Electromagnetic Lock 3000N Monitored



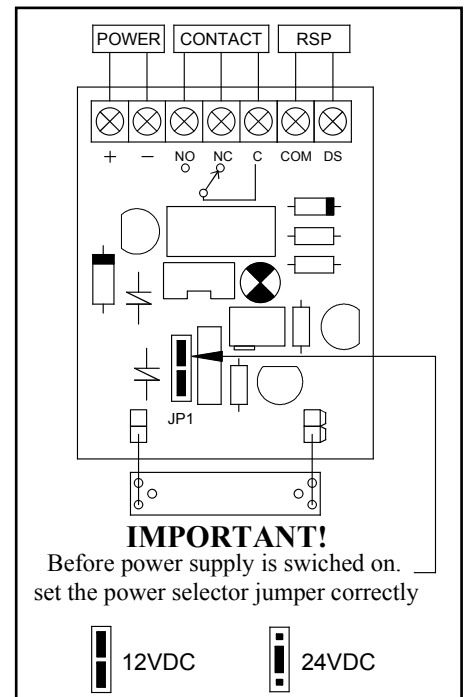
TECHNICAL CHARACTERISTICS

- **Magnet Size** : 500 x 42 x 26 mm
- **Armature Size** : 180 x 38 x 11 mm
- **Holding Force** : 2x 3000N
- **Contacts** : 1x NO/N.C./COM
- **Current Drain** : 480 mA ± 10% @ 12VDC
240 mA ± 10% @ 24VDC
- **Temperature** : -10 to 55°C
- **Weight** : 3,7 KG

DIMENSIONS



WIRING DIAGRAM



ORDER INFORMATION

- **EM205111** : Double Electronic Magnetlock 3000N Monitored
- **EM205151** : LZ Bracket
- **EM205152** : LZ Bracket with cover for whole magnetlock
- **EM205155** : Armature housing for 3000N Magnet Counter plate without contact