



Electromagnetic Lock 3000N Monitored

Electromagnetic door lock with standard manipulation protection



CHARACTERISTICS

- Small and complete electromagnetic surface mounted lock
- Manipulation Protection: features a custom anchor plate with signaling
- As a result you get a trustworthy is een zeer betrouwbare door position signaling
- Comes with locking position indication and LED indicator
- LED is protected behind a lens so you don't have protruding parts
- Safeguarded fixing screw
- Standard for outward opening doors
- Works failsafe (FS)
- Holding force of 3000N for each door
- Suitable for control of movement
- Suitable for high frequent use
- Less sensitive to structural imperfections
- No "sticky" anchor plate after a power failure
- Possible to integrate in every security installation
- Finished in Aluminum housing grey coated and fitted with nylon coating
- 5 year warranty

TECHNICAL CHARACTERISTICS

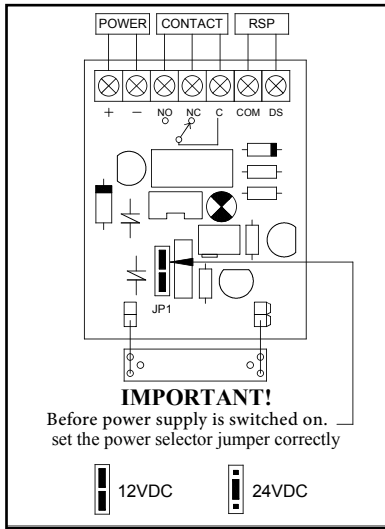
Model:	EM205100	EM205110	EM205111
Dim. Magnet (in mm) :	250 x 42 x 26	250 x 42 x 26	500 x 42 x 26
Dim. Anchor plate (in mm) :	180 x 38 x 11	180 x 38 x 11	2 x 180 x 38 x 11
Holding force :	2700N per magneet		
Voltage :	12/24 VDC		
Tolerance:	10%		
Power Usage:	480mA@12Vdc, 240mA @ 24Vdc per magnet		
Contact locking	none	N.O / N.C. / COM	N.O / N.C. / COM
Contact door position	none	N.O / N.C. / COM	N.O / N.C. / COM

All models, types, values, rates, dimensions, a.s.o. are subject to change, without notice

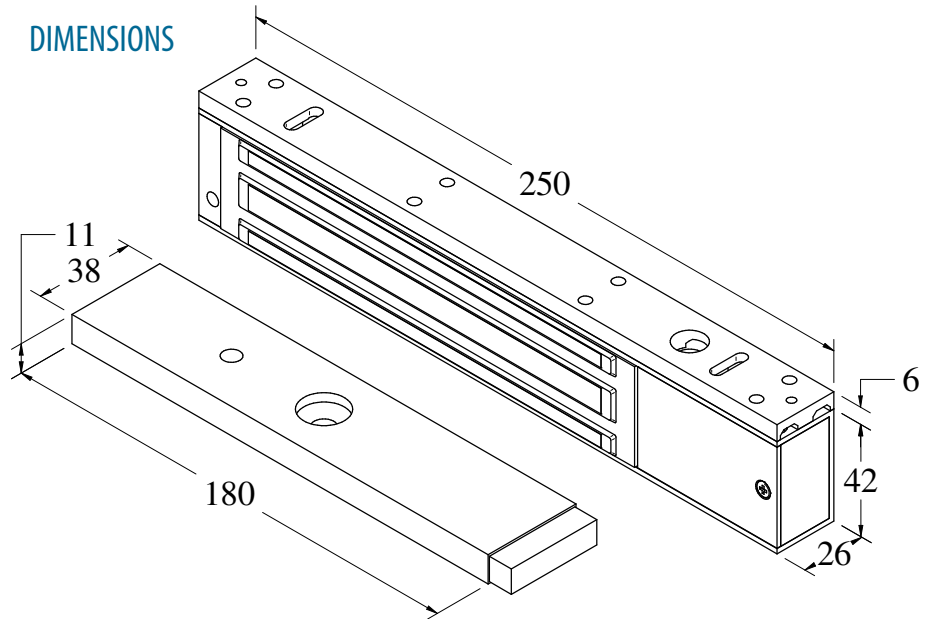




WIRING DIAGRAM



DIMENSIONS



ORDER INFORMATION

- EM205150 : L Bracket
- EM205151 : LZ Bracket
- EM205152 : LZ Bracket with cover
- EM205153 : Mounting Bracket for installation on glass
- EM205154 : Support long
- EM205155 : Support short