



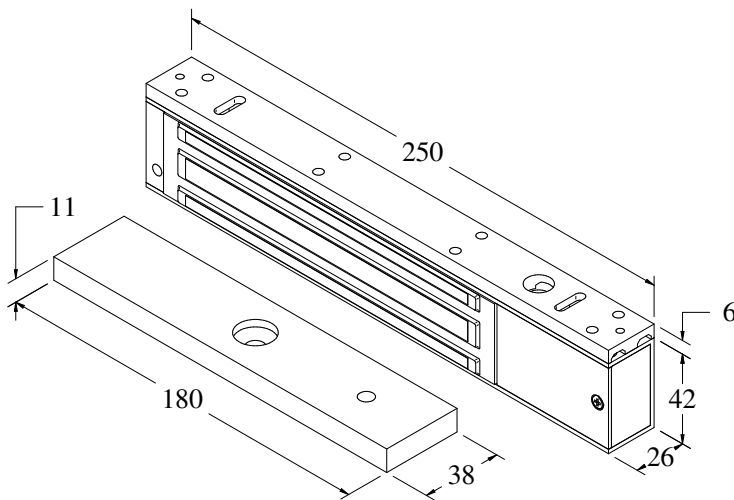
## Electromagnetic Lock 3000N



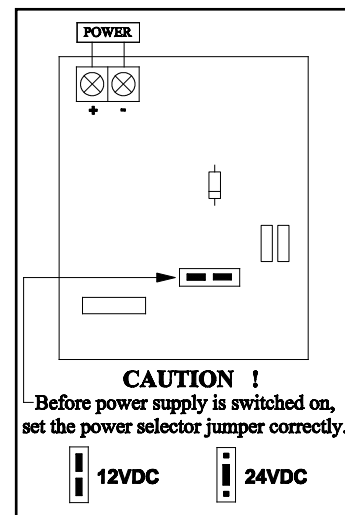
### TECHNICAL CHARACTERISTICS

- **Magnet Size** : 250 x 42 x 26 mm
- **Armature Size** : 180 x 38 x 11 mm
- **Holding Force** : 3000N
- **Current Drain** : 480 mA ± 10% @ 12VDC  
240 mA ± 10% @ 24VDC
- **Temperature** : -10 to 55°C
- **Weight** : 2 KG

### DIMENSIONS



### WIRING DIAGRAM



### ORDER INFORMATION

- **EM205100** : Electronic Magnetlock 3000N
- **EM205151** : LZ Bracket
- **EM205152** : LZ Bracket with cover for whole magnetlock
- **EM205155** : Armature housing for 3000N Magnet Counter plate without contact

\*All models, types, values, rates, dimensions, a.s.o. are subject to change, without notice\*

